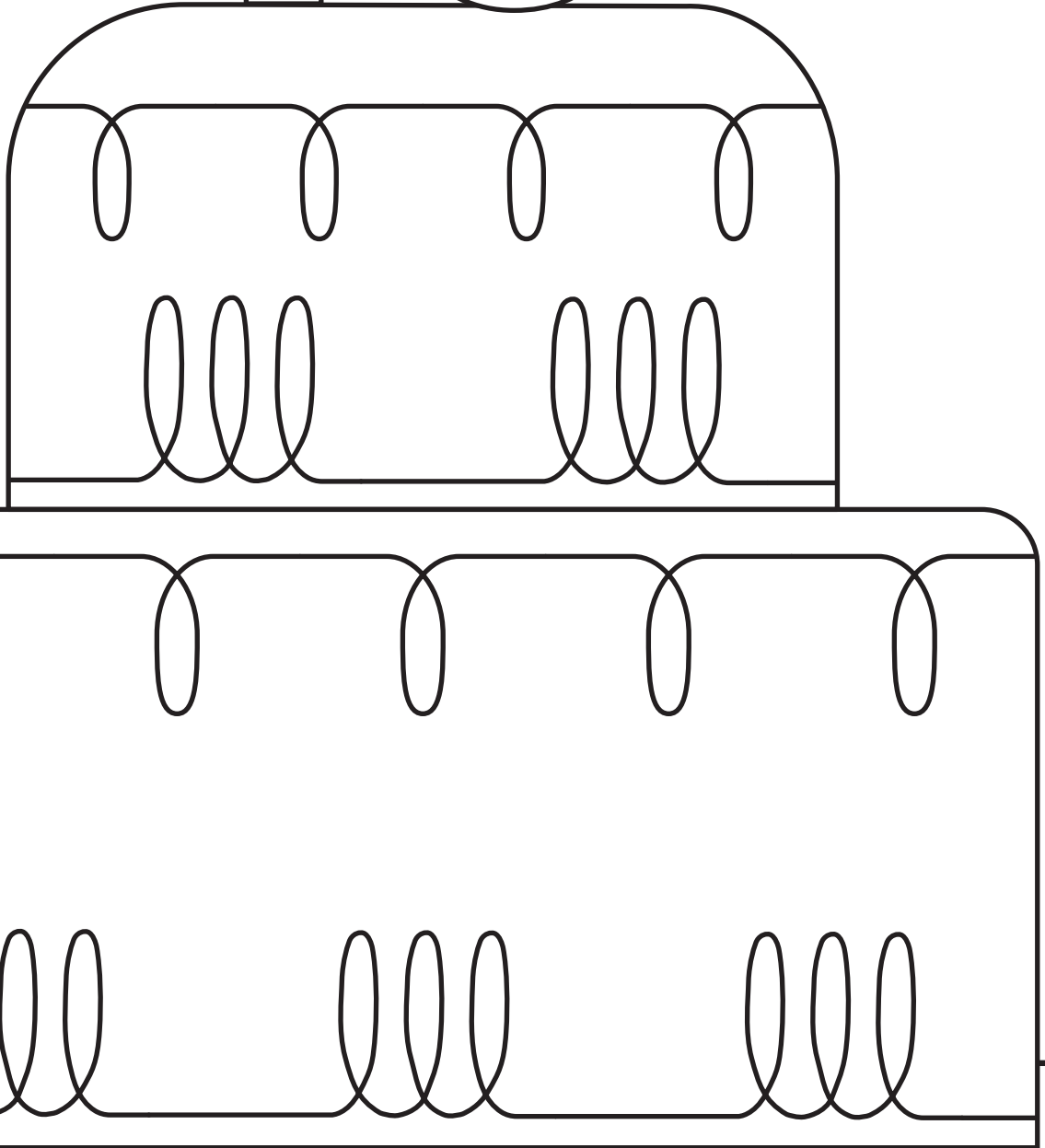


Filament

# Activity Pages

Celebrating  
16 years

April 1, 2020



# Present Unscrambler

Unscramble the animal names. Then use the circled letters to fill in the blanks at the bottom to find out what's in the present!

○<sup>2</sup>  
E S H R O

○<sup>4</sup> ○<sup>5</sup>  
R I Y A D O W C

○<sup>1</sup> ○<sup>6</sup>  
K I C N C H E

○<sup>7</sup>  
P E S H E

I P G

○<sup>3</sup>  
A G T O



1 2 3 4 5 6 7

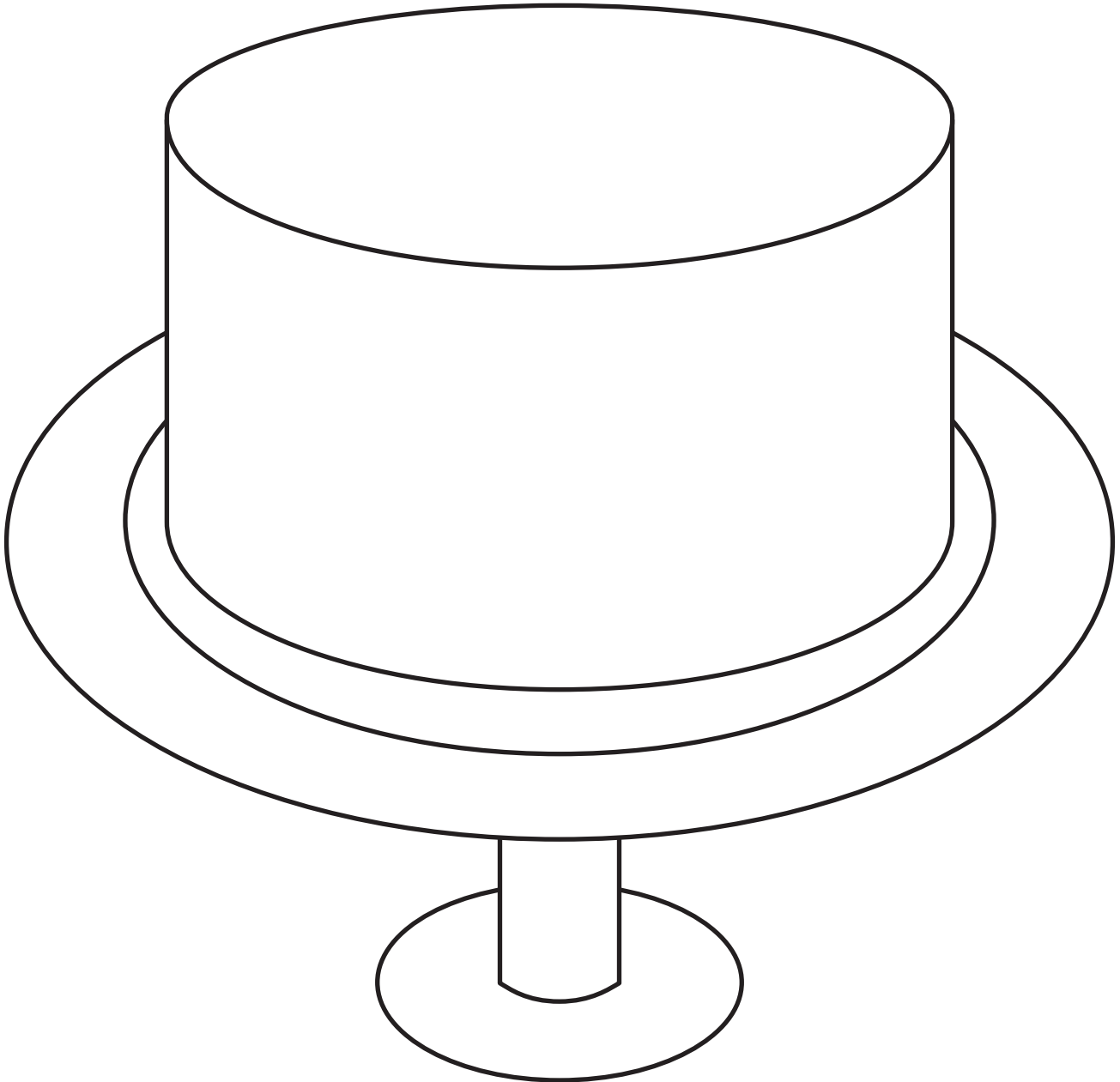
# Jigsaw Puzzle

Color the image then cut out the pieces to create a puzzle.



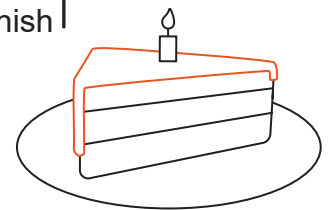
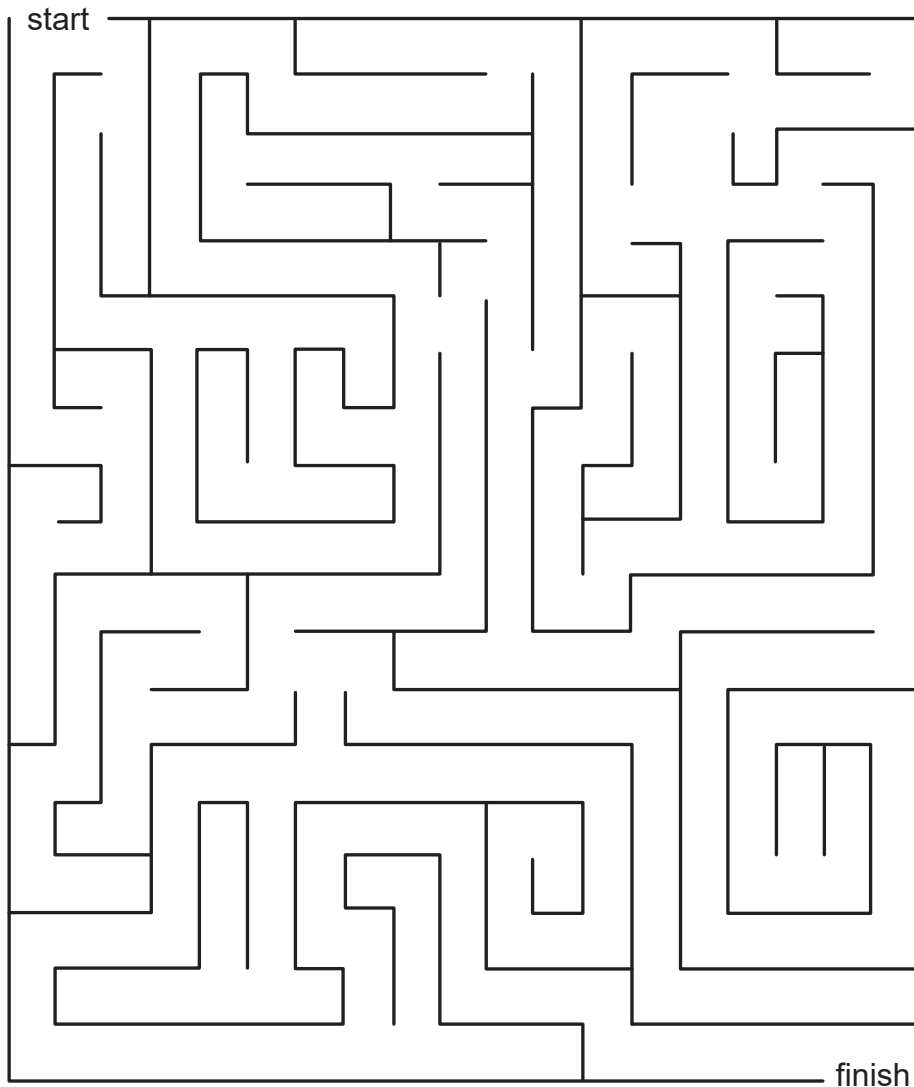
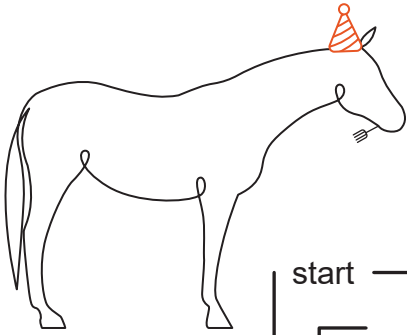
# Decorate a Cake

Draw what your cake would look like.



# Cake Maze

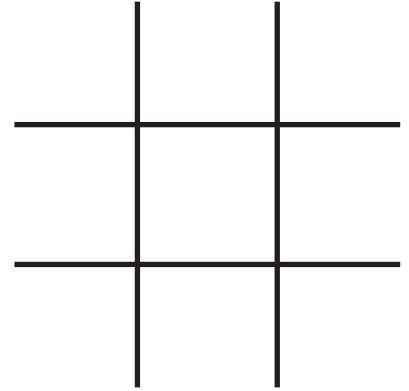
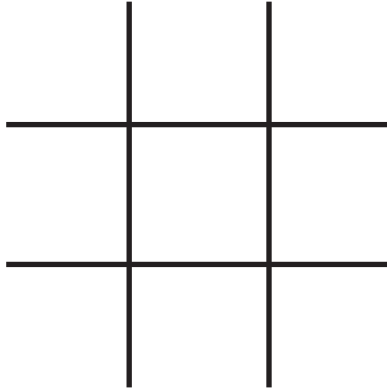
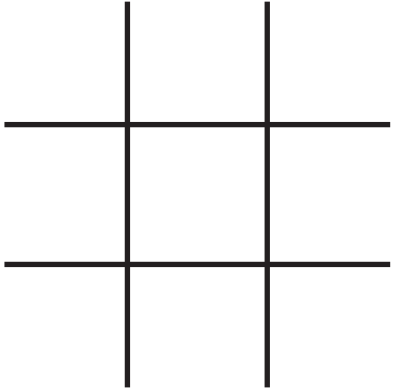
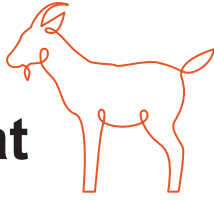
Help Edison, the horse, get to his piece of cake.



# Two-player Games

Grab a partner to play!

## Tic-Tac-Goat



## The Dot Game

Take turns drawing a line between two dots. When you complete a box, write your initial inside. See who has the most when all boxes are filled!

